

## GSW-2008MS

8x GbE, RJ45 + 2x Dual Rate SFP  
L2+ Managed Switch with Cable Tray

GSW-2008MS is a managed Gigabit Ethernet CPE switch positioned as a layer 2 managed switch solution for high speed connectivity with popular traffic priority and management capabilities for small and medium businesses. It features 8-port 10/100/1000Base-T RJ45 and 2-100/1000Base-X SFP based fiber optics. The GSW-2008MS is designed with a high-performance switching architecture and offers wire-speed transportation capability for bandwidth-intensive applications of enterprises. More and more corporations are adapting new IT technologies over the network such as voice over IP, video conference to improve productivity and save operation expenditure. The GSW-2008MS also supports features such as VLAN, QoS, IGMP for multicast applications and network management to fulfill SMB requirements. The GSW2008 delivers a cost effective Gigabit Ethernet solution to meet the converged applications for enterprise customer's networks.

### Feature

- 8-port 10/100/1000Base-T RJ45 + 2 uplink 100/1000Base-X SFP slot
- Supports 9K Bytes jumbo frame
- Supports IEEE 802.1Q tagged VLAN & Q-in-Q VLAN stacking
- Supports IEEE 802.1p priority queue
- Supports IGMP snooping v1/v2/v3
- Supports dying gasp
- Fiber Cable Tray (optional)

### Specifications

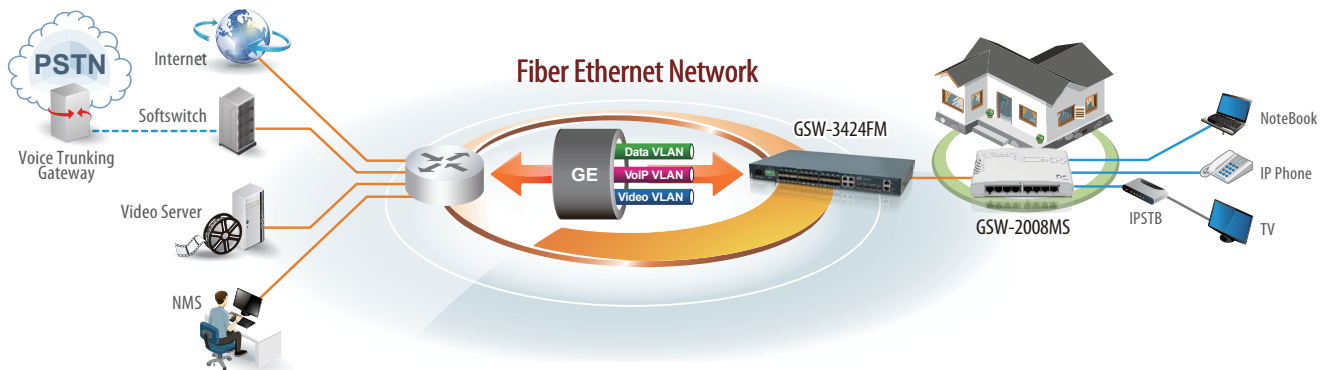
<b>Interface</b>	8x 10/100/1000Base-T RJ-45 with 2x 100/1000Base-X SFP
<b>Filter &amp; Forward rate</b>	14880pps at 10Mbps, 148800pps at 100Mbps, 1488000pps at 1Gbps
<b>Switching Fabric capacity</b>	20Gbps
<b>Transmission method</b>	Store and Forward Switching
<b>Standard</b>	IEEE 802.3u, IEEE 802.3z, IEEE 802.3ae, IEEE 802.3x, IEEE 802.1p, IEEE 802.1Q, IEEE 802.1ad, IEEE 802.1x, IEEE 802.1D, IEEE 802.1w, IEEE 802.1s, IEEE 802.3ad, IEEE 802.1ab
<b>Packet buffer</b>	4M bits
<b>MAC table size</b>	8K
<b>Jumbo frame size</b>	9600 Bytes
<b>VLAN feature</b>	IEEE 802.1Q tagged VLAN (Max. 4K VLAN groups) MAC based VLAN Protocol based VLAN Private VLAN for port isolation IP subnet based VLAN, Voice VLAN VLAN translation, IEEE 802.1ad Q-in-Q
<b>L2 switching protection</b>	STP, RSTP, MSTP
<b>Trunking</b>	IEEE 802.3ad LACP
<b>QoS feature</b>	IEEE 802.1p 8 priority queues per port, Port Default Priority, User Priority, Input priority mapping, QoS Control List (QCL Mode), Port policers, Global/VCAP (ACL) policers, Port egress shaper, Queue egress shapers, DiffServ (RFC2474) remarking, Tag remarking, Scheduler mode
<b>Security</b>	Port based/single/multiple IEEE 802.1x access control MAC based access control authentication RADIUS authentication, limited MAC address learning IP/MAC binding, ACL rule based filtering

<b>Security</b>	TACACS+, IP source guard DHCP snooping/relay option 82 ARP inspection
<b>IP multicasting</b>	IGMP throttling, IGMP filtering, IGMP fast leave, IGMP snooping v1/v2/v3, MVR, MLD snooping v1
<b>Storm Control</b>	Unknown Unicast/Broadcast/Multicast storm suppression
<b>Management</b>	Web/Telnet CLI interface, Web/CLI authentication, SSH v2, HTTPs, port mirroring, system syslog, IPv6 management, NTP, text based CLI configuration upload or download, IEEE 802.1ab LLDP, Cisco discovery filtering (CDP), DHCP auto provisioning
<b>SNMP agent</b>	SNMP v1/v2c/v3, RMON Group 1,2,3 and 9
<b>Software upgrade</b>	TFTP/HTTP
<b>Operating Temperature</b>	0 ~ 50°C
<b>Storage Temperature</b>	-25 ~ 70°C
<b>Humidity</b>	5% ~ 90% (non-condensing)
<b>Dimensions</b>	170 x 120 x 35mm (D x W x H)
<b>Certification</b>	FCC, CE

## Application

— FIBER     - - - E1  
— Cat5 / 6     — RJ-11

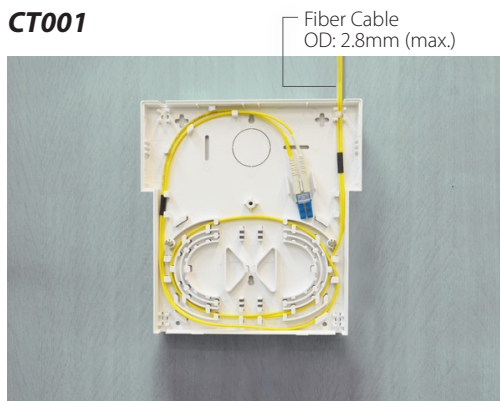
### Fiber to the Home Triple-Play Application



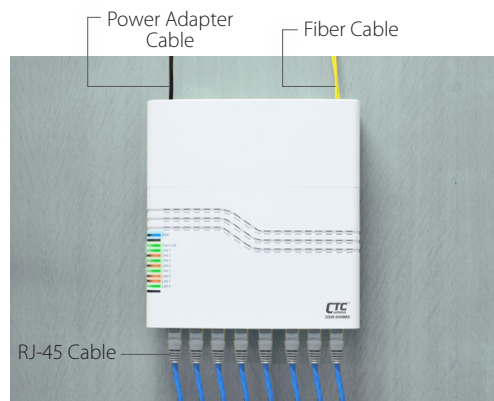
## Cable Tray Assembly

CT001 is an optional fiber tray and mounting hardware for deploying GSW-1005/2008 for residential Fiber To The Home applications. CT001 tray options is wall mounted, allowing secure termination of fiber leads.

### CT001



CT001 Cable Tray



CT001 with GSW-2008MS

## Ordering Information

Model Name	Description
GSW-2008MS	8-port 10/100/1000 Base-T to 2-port 100/1000 Base-X Managed GbE Switch (cable tray optional)

### Optional Accessories

CT001	Cable Tray for GSW-1005MS/GSW-2008MS
-------	--------------------------------------

### Dimensions (mm)



CT001